

4

3

2

1

B

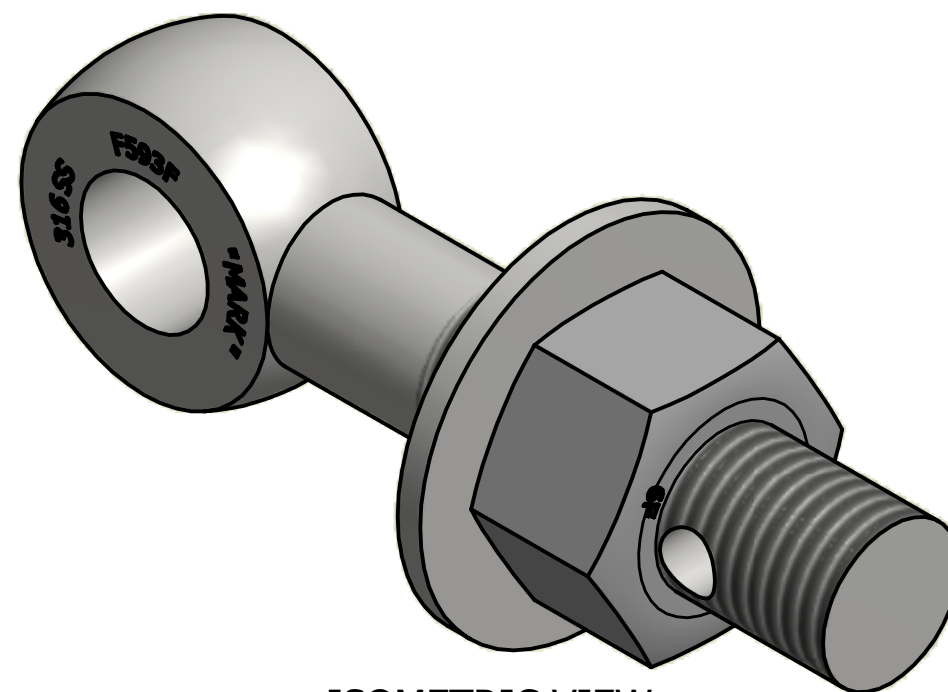
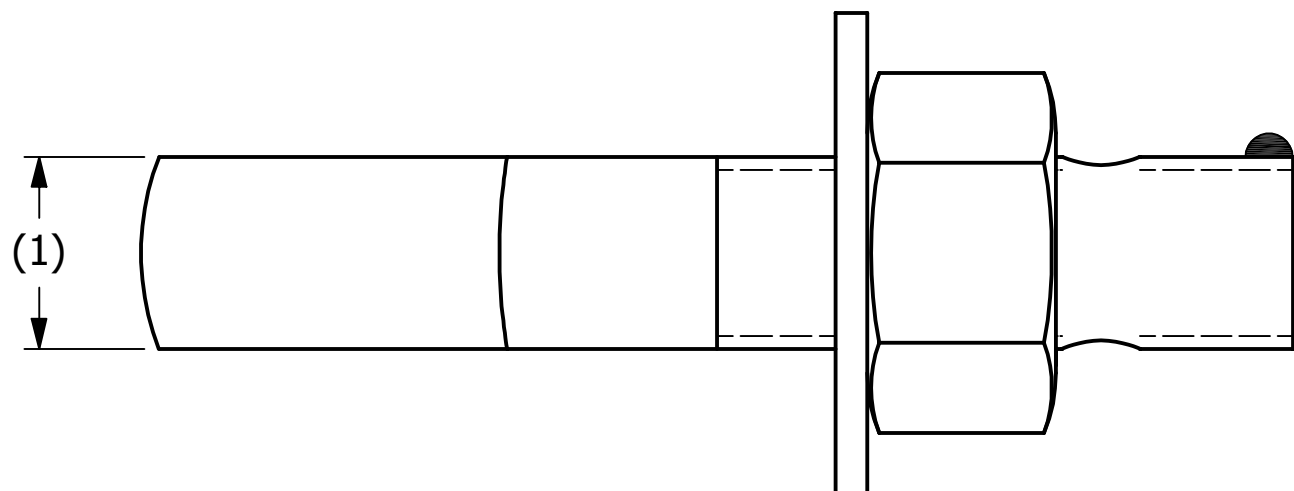
B

A

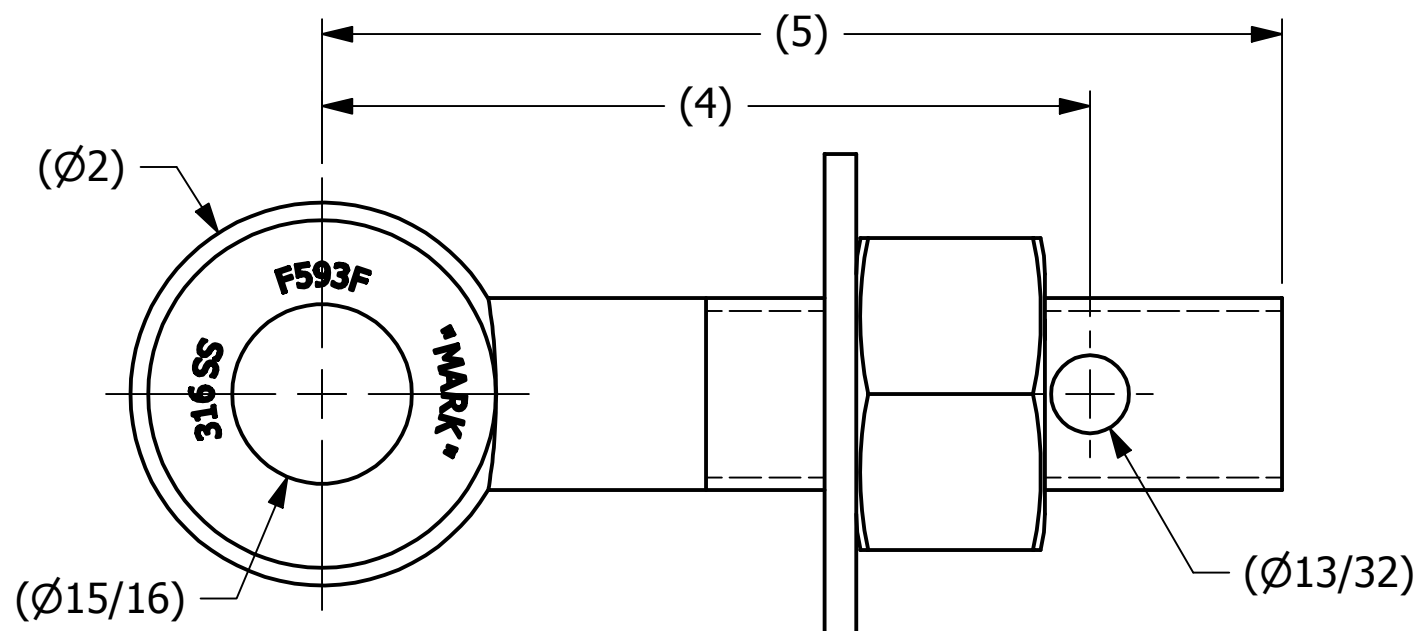
A

SALES DRAWING

SALES DRAWING



ISOMETRIC VIEW



A	CHL	10-25-10	REPLACED WASH1S4 W/WASH1S6
REV	BY	DATE	DESCRIPTION

<small>UNLESS OTHERWISE SPECIFIED DIMENSIONAL TOLERANCES</small> FRACTIONAL: ±1/16 X.XX: ±.03 X.XXX: ±.015 ANGULAR: ±1° <small>DEBURR ALL SHARP EDGES. ALL MACHINED SURFACES TO HAVE A 125 RMS FINISH UNLESS NOTED OTHERWISE.</small> <small>THIRD ANGLE PROJECTION</small>	DRAWN BY:	FOD
	CHECKED BY:	SAB
	PROTOTYPE BY:	FOD
	PROTOTYPE DATE:	5/7/1999
	APPROVED FOR PRODUCTION BY:	SAB
	PRODUCTION DATE:	5/7/1999

SALCO PRODUCTS, INC.		
PART NAME: EYEBOLT ASSEMBLY 1"X5"		
MATERIAL: STAINLESS STEEL		
PROJECT #:	SHEET #: 1 OF 1	SCALE: 1:1
DRAWING #: B13406	PART #: EB15XHAS6	

THIS PRINT, PROPERTY OF SALCO PRODUCTS INC., CONTAINS PROPRIETARY INFORMATION AND MUST NOT BE COPIED, REPRODUCED, OR USED DETRIMENTALLY TO OUR INTEREST.

4

3

2

1

A